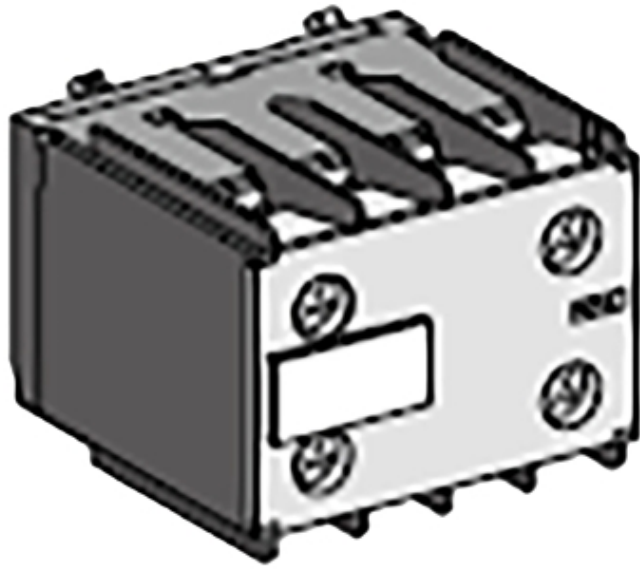


Product data sheet

HF4K02

Characteristics

Auxiliary contacts, HDC17K, HF4K-02, top, 2 NC



Main

Range of product	HDC17K
Product or component type	Auxiliary contact block
Mounting location	Front
Auxiliary contact composition	2 NC

Complementary

Product compatibility	HDC17K contactor 6...12 A
Auxiliary contacts operation	Instantaneous
Shielding continuity terminal	Without
[Ui] rated insulation voltage	690 V conforming to IEC 60947-5-1
[Ith] conventional free air thermal current	10 A

Environment

Environmental characteristic	Harsh environment
Standards	IEC 60947-5-1
Product certifications	CE
IP degree of protection	IP20
Ambient air temperature for operation	-25...70 °C
Ambient air temperature for storage	-25...70 °C
Operating altitude	2000 m

Packing Units

Unit Type of Package 1	PCE
Number of Units in Package 1	1

Offer Sustainability

Sustainable packaging	No
-----------------------	----